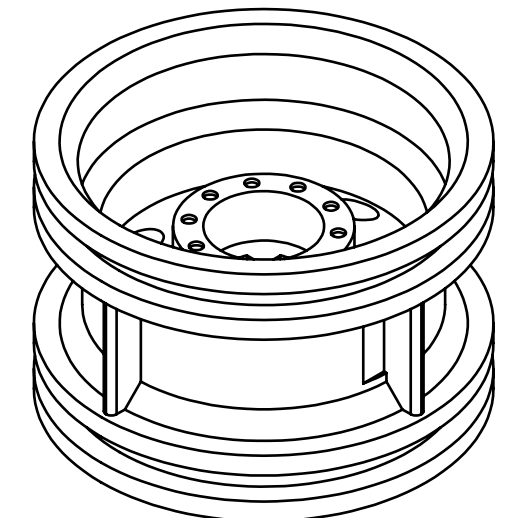
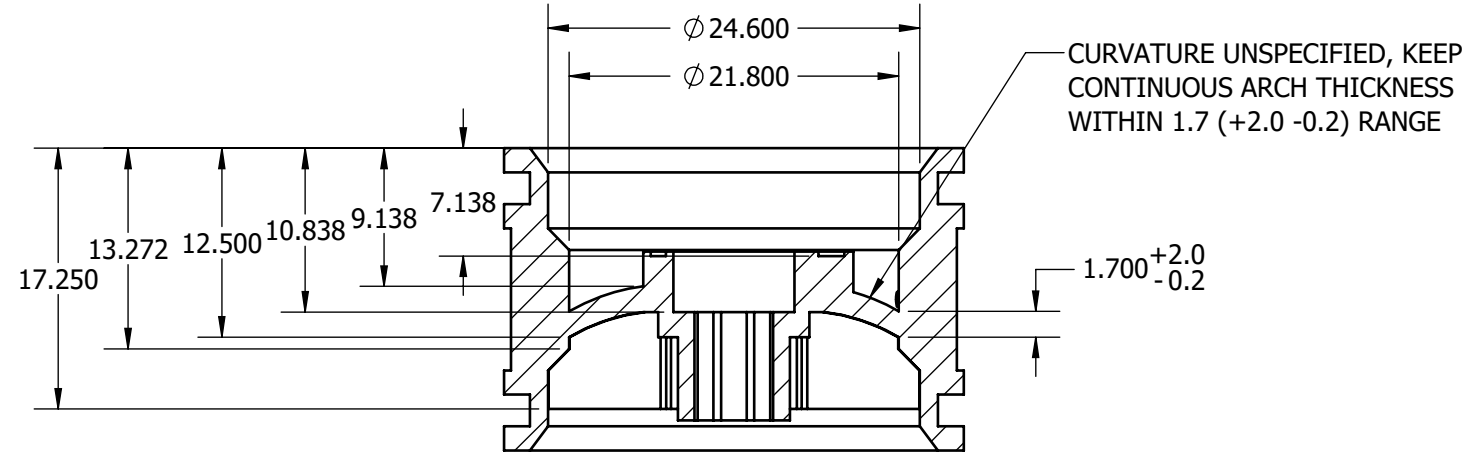
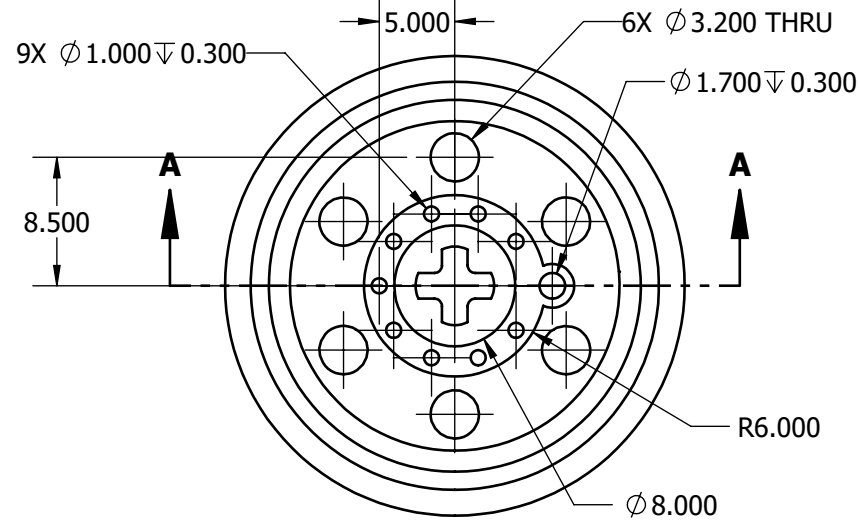
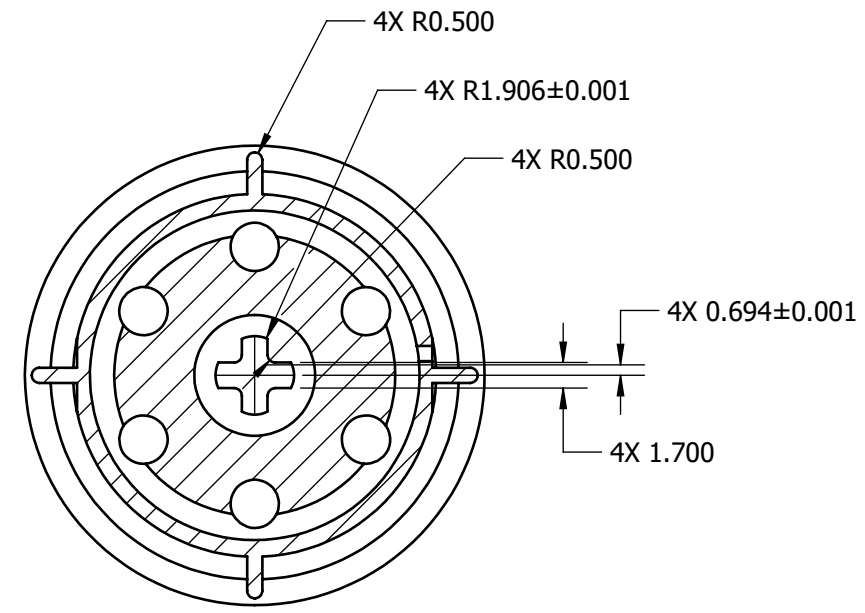
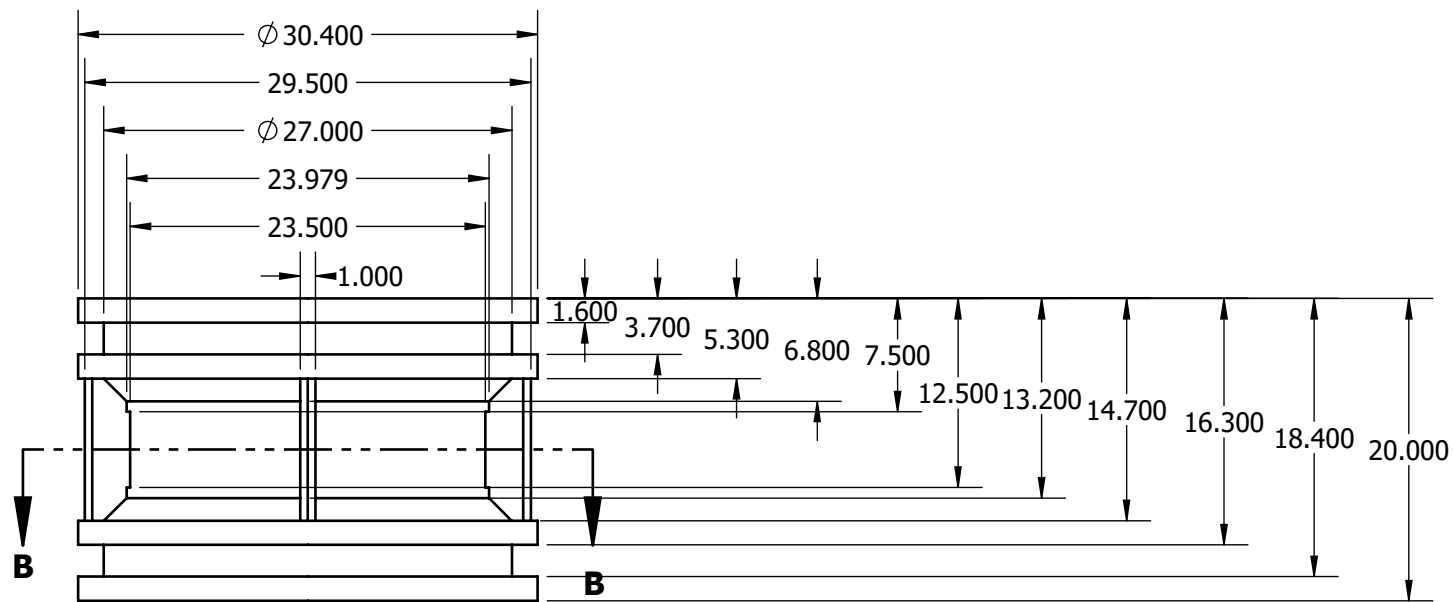


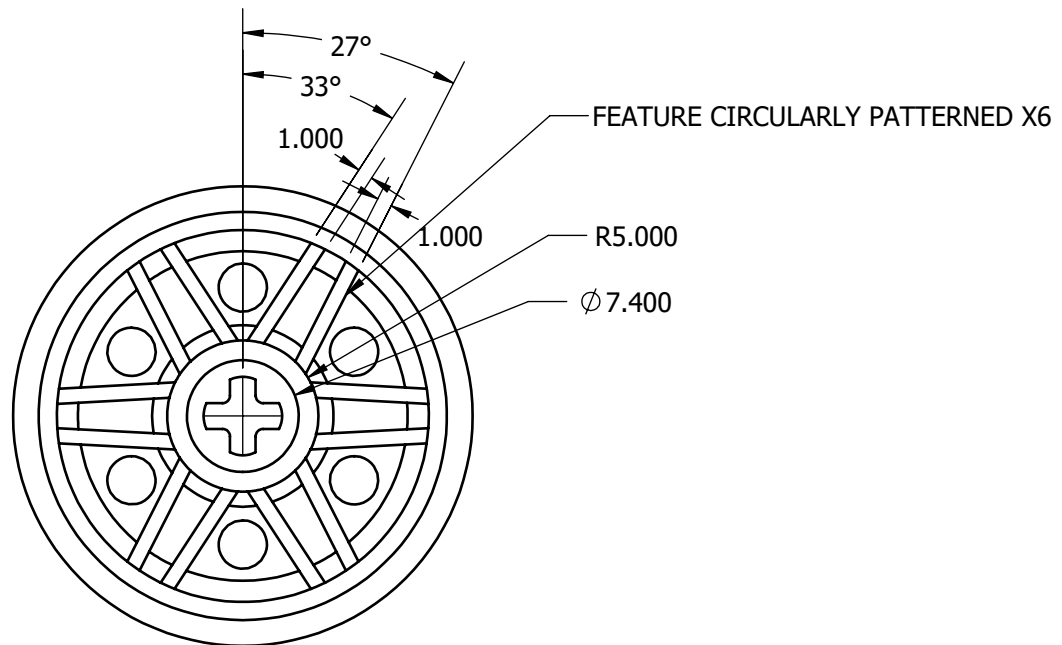
REVISIONS		
REV.	DESCRIPTION	DATE
A	INITIAL RELEASE	12/4/2024



SECTION A-A



SECTION B-B



PROPRIETARY AND CONFIDENTIAL

THE INFORMATION CONTAINED IN THIS DRAWING IS THE SOLE PROPERTY OF THE UNIVERSITY OF COLORADO. ANY REPRODUCTION IN PART OR AS A WHOLE WITHOUT WRITTEN PERMISSION IS PROHIBITED.

TOLERANCES:
 X.X ±0.1
 X.XX ±0.010
 X.XXX ±0.005
 X.X° ±1°


UNLESS OTHERWISE SPECIFIED:
 DRAWING UNITS: MILLIMETERS
 INTERPRET DRAWING PER ASME Y14.100
 INTERPRET DIMENSIONS PER ASME Y14.5M

MATERIAL:
 ABS GOLD
FINISH:
 NONE

DRAWN:
 JULIA ABOUD

CHECKER:
 N/A

MANUFACTURING ENGINEER:
 N/A



UNIVERSITY OF COLORADO
 1111 ENGINEERING DRIVE
 BOULDER, CO 80309-0427
 MCEN 1025

DESCRIPTION:
 30.4DX20 WHEEL

PART NUMBER:
 4648531

REV
 A

SIZE: B

SHEET: 1 of 1